

DJ05FY

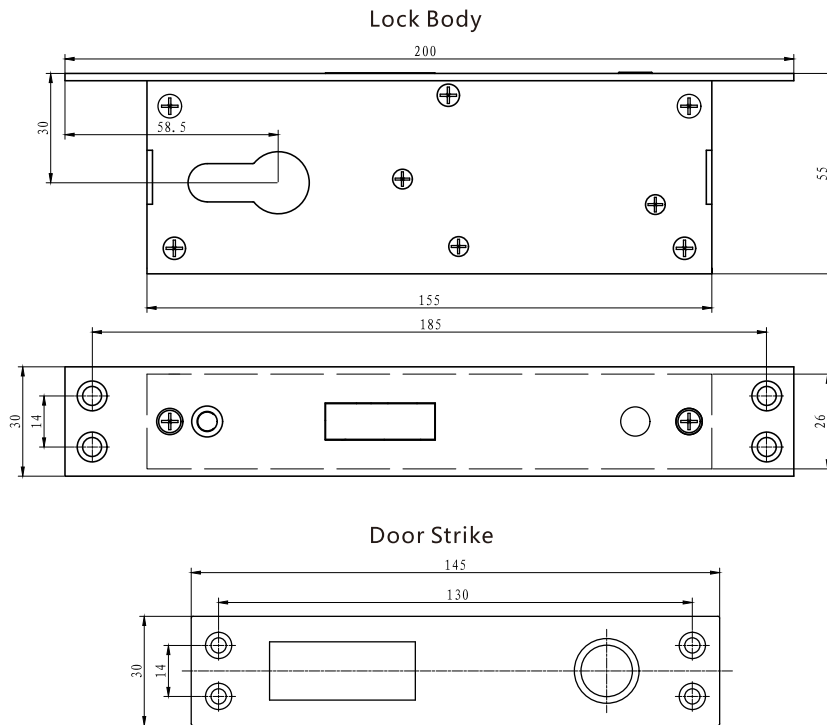
User Manual for
Intelligent Electromechanical
Lock (Flush Mounting)

PART 1 Main Features

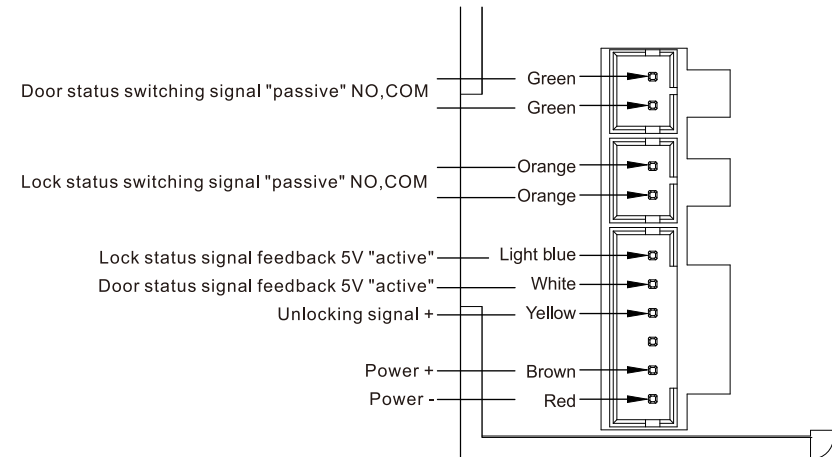
- Intelligent electromechanical lock combines the virtues of electric rim lock and electromagnetic lock, overcome the loud noise of electric rim lock and high power consumption of electromagnetic lock
- Convenient installation, no need to identify left/right hand door or inswing/outswing door
- Decrease the requirement of door closer as they can lock automatically and without collision when the door is closed. Solve the door easily deformed as the high strength of door closer; increase the door's lifetime
- Detect status of latch. when it doesn't lock well, can lock automatically again
- Low noise, long lifetime, low power consumption
- Various opening methods: access control, intercom, remote control, ID card, key etc
- Can not open the lock when separate the magnetic sensor, make it safer
- Reverse voltage protection, short-circuit protection, light alarm when the hall fault
- With output of latch status and output of door status
- Working temperature: $-40^{\circ}\text{C} \sim +50^{\circ}\text{C}$
- Voltage: DC12V-24V, unlocking current $< 500\text{mA}$, quiescent current $< 40\text{mA}$
- The length of extended latch $\geq 20\text{mm}$
- Unlocking time $< 1\text{S}$
- Service life is more than 350,000 times

PART 2 Installation

1. Installation Drawing



2. Wiring Specification



PART 3 Installation Common Failures & Troubleshooting

Common Failures	Failure Cause	Processing Method
Do not lock after door is closed	Faulty wiring or power supply is incorrect	Connect wire in right way Make sure power supply is DC12-24V
	Power supply positive and negative pole incorrect wiring	Connect as wire connection diagram
	Door gap is too large	Adjust door gap (3-8mm)
	Sensor unit is broken	Replace sensor unit
	Latch can not go into strike	Adjust main lock body or strike installation place
Doesn't work after give unlocking signal	Faulty wiring	Check wires and rewired
	Unlocking signal output voltage is incorrect	Pls check the voltage is DC12-24V
	Manual unlocking is not smoothly	Pls check if there have gravel or scrap iron